

# Double Body Manual Screen & Disc Filters

3" & 4"

The Double Body series offers high efficiency, designed to remove physical impurities from water. With a robust and versatile design, these filters can be installed in both horizontal and vertical orientations, making them perfect for high-volume applications.



## HIGHLIGHTS

---

- **Large Filtration Area:** Reduces clogging and minimizes the frequency of cleaning, ensuring uninterrupted operation.
- **High Flow Rate:** Capable of handling water volumes of up to 90 cubic meter per hour, depending on connection size and water quality.
- **Efficient Design:** Screen filters feature a new skeleton design for optimal flow, while disc filters include a disc housing fan that generates a hydro-cyclonic effect to reduce cleaning intervals.
- **Durable Construction:** Built with UV-engineered plastic that provides excellent mechanical strength and corrosion resistance.
- **User-Friendly Maintenance:** Both the screen and disc filters come with easy-to-install cartridges and metal clamps for fast assembly and disassembly.
- **Pressure Ports:** Equipped with 4 threaded brass pressure ports for easy monitoring and enhanced operational efficiency.
- **Leak-Proof Design:** O-ring seals prevent leaks, ensuring a tight fit and reliable operation.

## APPLICATIONS

---

- **Agricultural Irrigation:** Ensures clean water flow, protecting irrigation systems and crops.
- **Turf and Landscape Irrigation:** Keeps irrigation systems clear for optimal performance in maintaining landscapes.



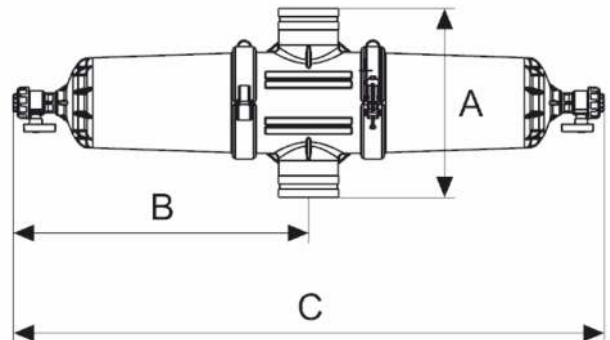
# Technical Data

Filter Models Screen		HT-526D	HT-526DXL	HT-528DS	HT-528D
Filter Models Disc		HT-536D	HT-536DXL	HT-538DS	HT-538D
Inlet /Outlet Connection		3"/80mm		4"/100mm	
Connection Type		Threaded (BSP/NPT) / Grooved / Flanged			
*Maximum Flow Rate	M <sup>3</sup> /HR	50	60	70	90
	GPM	220	264	308	396
Maximum Working Pressure	BAR	PPGF - 8 / PAGF - 10			
	PSI	PPGF - 116 / PAGF - 145			
Filtration Surface Area (Screen)	CM <sup>2</sup>	1600	3200	2400	3200
	INCH <sup>2</sup>	248	496	372	496
Filtration Surface Area (Disc)	CM <sup>2</sup>	1756	3380	2386	3380
	INCH <sup>2</sup>	272	524	370	524
Filtration Degree	Mesh	150 / 120 / 80			
	Microns	100 / 130 / 200			
Material of Construction		All Polymeric /NBR / St.St.			
Screen /Disc Material		St.St. /PP			
Flush Port		3/4" - Female Threaded Port (with Flush valve)			

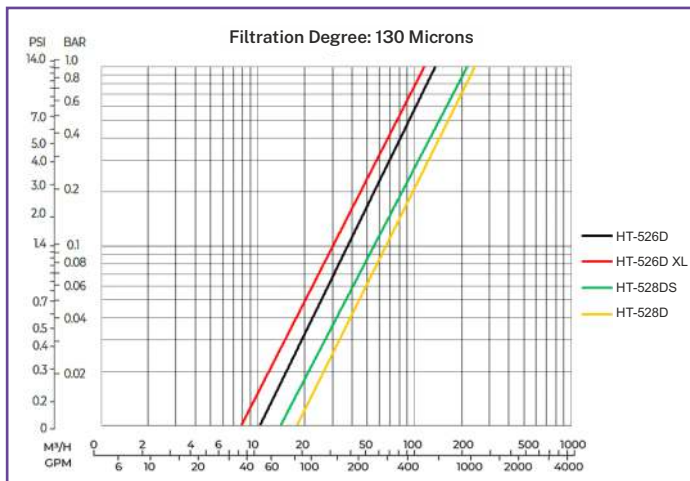
\*Flow depends on water quality.

## Product Dimensions

Dimensions		HT-526D / HT-536D	HT-526DXL / HT-536DXL	HT-528DS / HT-538DS	HT-528D / HT-538D
A	CM	34			
	INCH	14			
B	CM	48.5	69.5	56.5	69.5
	INCH	19	27	22.5	27
C	CM	97	139	113	139
	INCH	38	55	44.5	55



## Head Loss Chart (Screen)



## Head Loss Chart (Disc)

